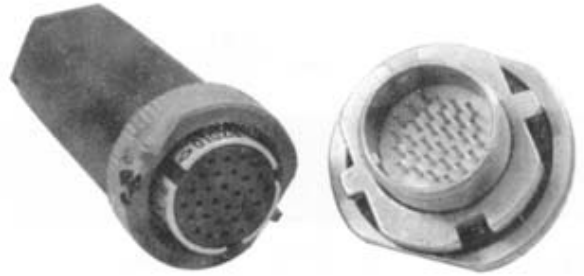


ZH13, 14, 42

High Density Subminiature Electrical Connectors CHII13, CHII14, CHII42 connection remote for DC or AC pulsed (less than 3MHz) circuits.

The way the socket is installed on the instrument:

- CHII13 - Welding
 - CHII14 - Screw nut
 - CHII42 - Solder
- Localized model: **ZH13, ZH14, ZH42**









Technical performance

- Ambient temperature -60°C + 85°C
- Vibration; Move 1 - 5000 Hz (40g)
- Mechanical shock: 1500g; Repeated: 150g
- Contact resistance CHII13, CHII14, CHII42 ≤ 45mΩ
CHII13(through the wall) ≤ 90mΩ
- Insulation resistance ≥ 5000 MΩ (normal conditions)
- Operating Voltage 140V
- Current load: single contact current load 2A
- Sealing pressure: 460 MPa
- Junction: 250 cycles; Operating hours: ≥ 2000 hour
- Warranty date: 15 years

Technical conditions:ГЕО.364.245ТУ
Specifications: 3E0240070JT

Insulator hole group arrangement (view from socket contact end)

| Shell No. | 10 | 12 | 14 | 18 | 22 | 27 |
|---------------------------|---|---|---|---|--|---|
| Distribution |  |  |  |  |  |  |
| Contact diameter | ∅ 0.6mm | | Pin - Nickel-plated contacts | | Hole - Au plated | |
| Number of contacts | 10 | 19 | 30 | 50 | 76 | 102 |



Ordering information

| | | | | | | | | |
|--|---------------------|-----------|----------|-----------|---------------|-------------------|----------------------|----------|
| Ru: | CHЦ 13,14,42 | 10 | / | 10 | В(Р,П) | 1,(2,6,11) | а (Б В Г Д е) | В |
| Model | | | | | | | | |
| Number of contacts 10, 19, 30, 50, 76, 102 | | | | | | | | |
| Shell standard size 10, 12, 14, 18, 22, 27 | | | | | | | | |
| B – pin (in receptacle) P – hole (in plug) П – through the wall | | | | | | | | |
| 1 - Receptacle without tail, 2 – Receptacle with straight tail, 6 – Plug with straight attachment, 11 – Plug without tail | | | | | | | | |
| Polarization | | | | | | | | |
| Environmental protection | | | | | | | | |

Illustration: CHЦ₁₃ CHЦ₁₄ Standard shell number **10, 12, 14, 18, 22, 27**
CHЦ₄₂ Standard shell number **10, 12, 14**
CHЦ₁₃ Through the wall standard shell number **27**

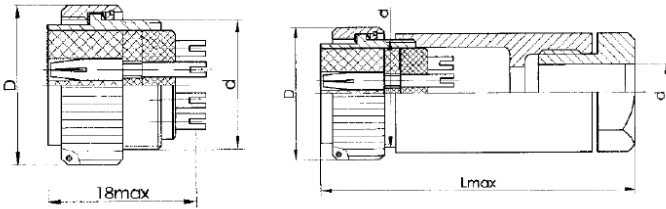
| | | | | | | | | |
|--|-------------------|-----------|----------|-----------|----------------|------------------|-----------------------|----------|
| APMA: | ZH13,14,42 | 10 | / | 10 | В(Р, Н) | 1(2,6,11) | а (b, c, d, e) | В |
| Model | | | | | | | | |
| Number of contacts 10, 19, 30, 50, 76, 102 | | | | | | | | |
| Shell standard size 10, 12, 14, 18, 22, 27 | | | | | | | | |
| B – pin (in receptacle) P – hole (in plug) Н – through the wall | | | | | | | | |
| 1 - Receptacle without tail, 2 – Receptacle with straight tail, 6 – Plug with straight attachment, 7 – Plug with straight slip cable tails 11 – Plug without tail | | | | | | | | |
| Polarization | | | | | | | | |
| Environmental protection | | | | | | | | |

Shape and installation dimensions

- **Plug with hole CHI₁₃**

Without tail

Tail attached

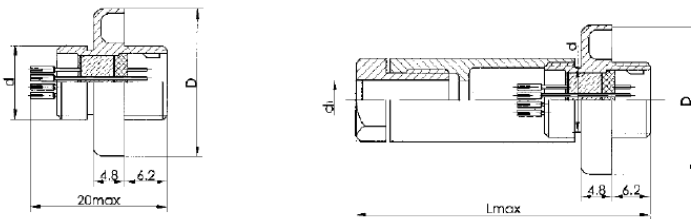


| Shell No. | Size, mm | | | |
|-----------|----------|----------------|------|-------|
| | d | d ₁ | D | L max |
| 10 | M10x0.75 | 6 | 14 | 36 |
| 12 | M12x0.75 | 8 | 16 | 38 |
| 14 | M14x0.75 | 9 | 18 | 41 |
| 18 | M18x1.0 | 11 | 22,5 | 43 |
| 22 | M22x1.0 | 13 | 26,5 | 45 |
| 27 | M27x1.0 | 16 | 31,5 | 49 |

- **Receptacle with pin CHI₁₃**

Without tail

Tail attached

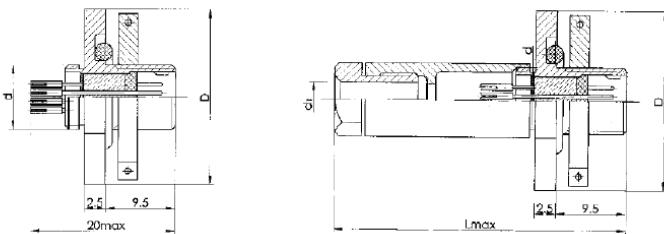


| Shell No. | Size, mm | | | |
|-----------|----------|----------------|----|-------|
| | d | d ₁ | D | L max |
| 10 | M10x0.75 | 6 | 14 | 40 |
| | | | 22 | |
| 12 | M12x0.75 | 8 | 19 | 42 |
| | | | 24 | |
| 14 | M14x0.75 | 9 | 25 | 45 |
| 18 | M18x1.0 | 11 | 29 | 47 |
| 22 | M22x1.0 | 13 | 33 | 49 |
| 27 | M27x1.0 | 16 | 38 | 54 |

- **Receptacle with pin CHI₁₄**

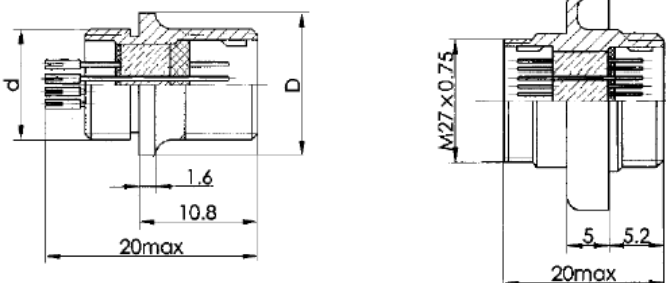
Without tail

Tail attached



| Shell No. | Size, mm | | | |
|-----------|----------|----------------|----|-------|
| | d | d ₁ | D | L max |
| 10 | M10x0.75 | 6 | 22 | 40 |
| 12 | M12x0.75 | 8 | 24 | 42 |
| 14 | M14x0.75 | 9 | 25 | 45 |
| 18 | M18x1.0 | 11 | 29 | 47 |
| 22 | M22x1.0 | 13 | 33 | 49 |
| 27 | M27x1.0 | 16 | 38 | 54 |

- **Receptacle with pin CHI₄₂ • Adapter (through the wall) CHI₁₃ - 102/27**



| Shell No. | Size, mm | |
|-----------|----------|------|
| | d | D |
| 10 | M10x0.75 | 12.5 |
| 12 | M12x0.75 | 14.5 |
| 14 | M14x0.75 | 16.5 |
| 18 | M18x1.0 | |
| 22 | M22x1.0 | |
| 27 | M27x1.0 | |