

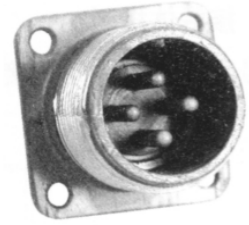
# PPH25M Series Temperature Compensation Electrical Connector

PPH25M, PPH25AM Temperature Compensation connectors for thermocouples and DC circuits.

Socket (connected to device part) with straight or angled unshielded tail attachment or without tail attachment.

Plug (cable part) with straight or angled unshielded tail attachment.

Localized model: **PPH25M**



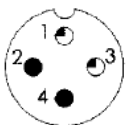
## Technical performance

- Ambient temperature: PPH25M -60°C~+200°C  
PPH25AM -60°C~+150°C
- Vibration: 1~600 Hz 10g
- Shock: multiple times 12g
- Contact resistance:  $\leq 50 \text{ m}\Omega$
- Insulation resistance:  $\geq 1000 \text{ M}\Omega$
- AC voltage (V): 400
- Working time: PPH25M  $\geq 600$  hours, PPH25AM  $\geq 1000$  hours
- Insertion times: 200 times
- Guarantee period: 12 years
- Specifications: GEO.364.106TY
- Specifications: 3E0 204 081JT

## Insulator Hole Group Arrangement

Significance of the code: shell number - number of contacts - contact number - material

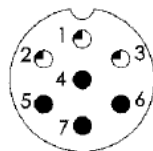
18-4  
(1.3X,2.4K)



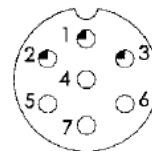
18-4  
(1.3X,2.4A)



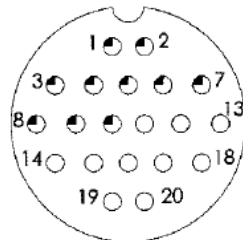
28-7  
(1-3X,4-7K)



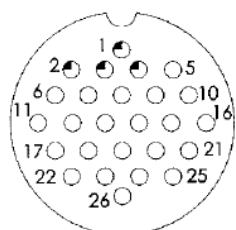
28-7  
(1-3X,4-7A)



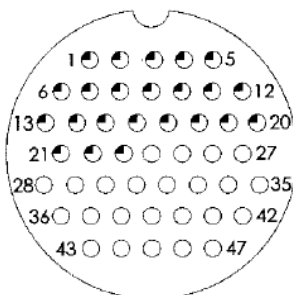
48-20  
(1-10X,11-20XA)



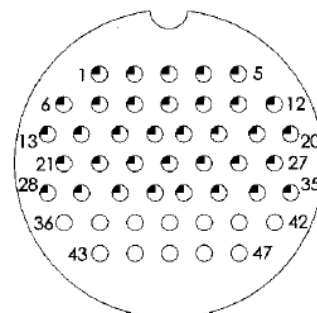
48-26  
(1-4X,5-26A)



60-47  
(1-23X,24-47A)



60-47  
(1-35X,36-47A)



⊗ X - Nichrome

● K - nickel copper

○ A - NiSi

Note: The diameter of the contact body is 2.5 mm



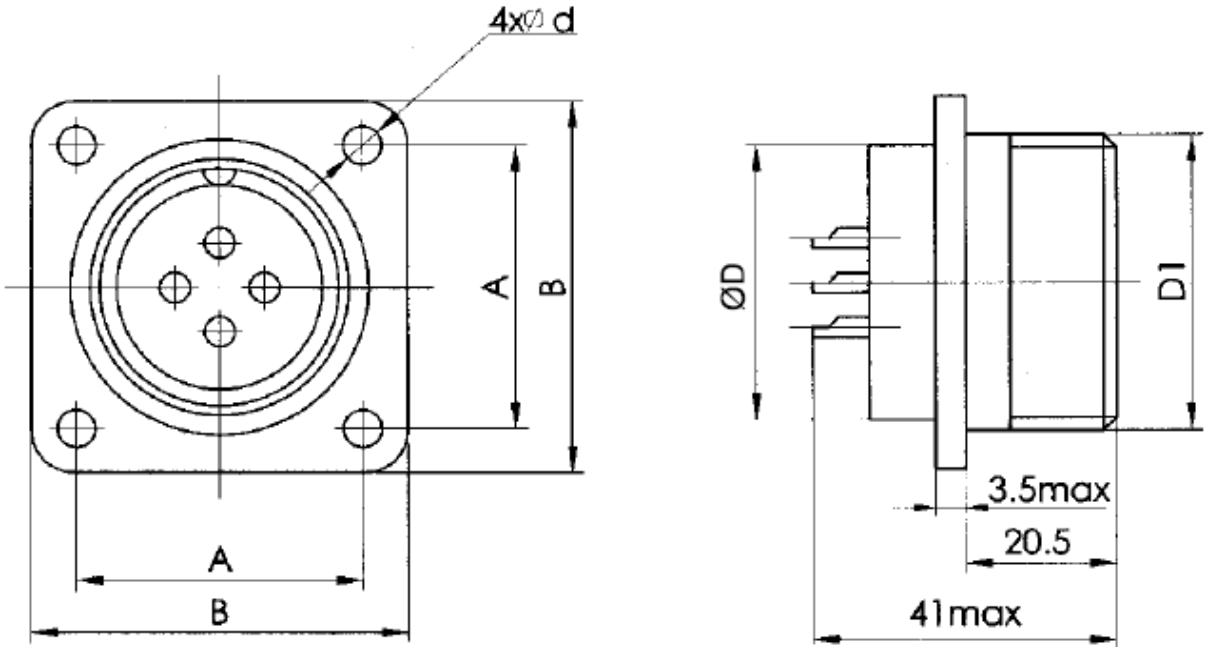
## Mark description

<b>Russian</b>	<b>PPH25M</b>	-	<b>4/1.3X 2.4A</b>	<b>-18</b>	<b>III</b>	<b>1</b>	<b>B pin</b>
	<b>PPH25M</b>	-	<b>4/1.3X 2.4A</b>	<b>-18</b>	<b>Г</b>	<b>7</b>	<b>B hole</b>
Number of Contacts/Contact Material 1.3 Nickel-chromium (X), 2.4 Nickel-copper (K)							
Contact combination number							
III – Pin, Г - Hole							
1-Without tail attached socket; 2-with straight unshielded tail attached socket 4-With curved unshielded tail attached socket; 7-with straight unshielded tail 9-With curved unshielded tail plug							
all-weather							

<b>Chinese</b>	<b>PPH25M</b>	-	<b>4</b>	<b>-18</b>	<b>K</b>	<b>7</b>	<b>B</b>	<b>1.3X 2.4A</b>
Number of Contacts								
Contact combination number								
K-Hole, J-Pin								
1-Without tail attached socket; 2-with straight unshielded tail attached socket 4-With curved unshielded tail attached socket; 5-without tail attached plug; 7-with straight unshielded tail plug; 8-with straight shielded tail plug; 9-With curved unshielded tail plug; 10-with curved shielded tail plug; 11-With straight clip-on shielded tail with plug; 12-with curved clip-on shielded tail with plug								
all-weather								
Contact Material 1.3 NiCr(X), 2.4 NiSi(A)								

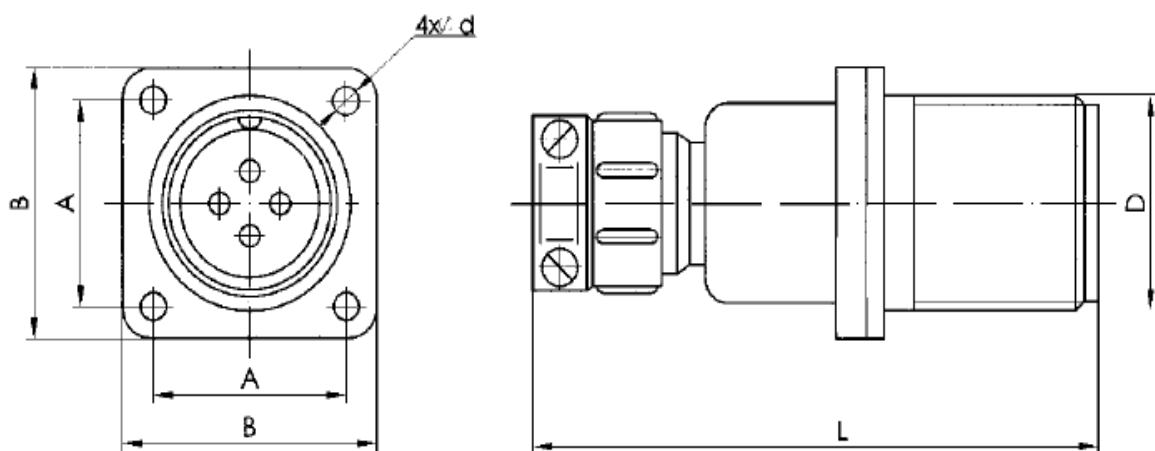
### Outline and installation dimensions

- Without tail-attached socket(1)



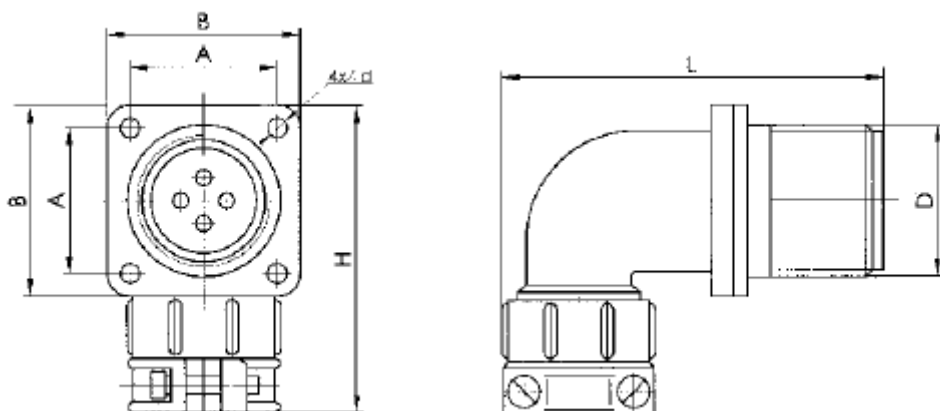
Shell size - number of contacts (contact number and material)	Dimensions (mm)				
	A	B	D	D1	d
20-4(1-3X,2-4K)	22	30	20	M24x1.5	3.2
20-4(1-3X,2-4A)					
28-7(1-3X,4-7K)	30	38	28	M33x1.5	3.5
28-7(1-3X,4-7A)					
48-20(1-10X,11-20A)	48	58	48	M52x1.5	4.5
48-26(1-3X,5-26A)					
60-47(1-23X,24-47A)	54	68	60	M64x1.5	4.5
60-47(1-35X,36-47A)					

- Socket with straight unshielded tail attached(2)



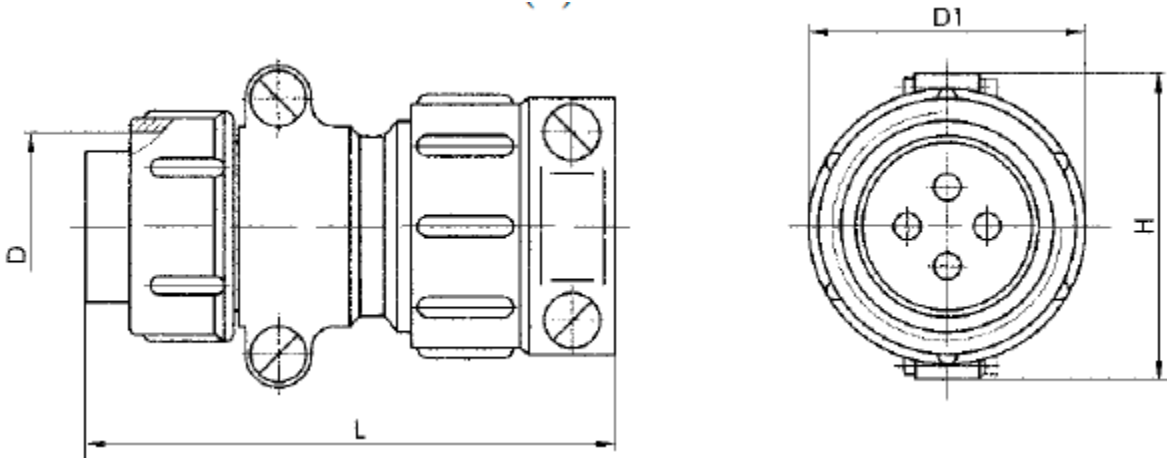
Shell size - number of contacts (contact number and material)	Dimensions (mm)				
	D	A	B	Lmax	d
20-4(1-3X,2-4K)	M24x1.5	22	30	75	3.2
20-4(1-3X,2-4A)					
28-7(1-3X,4-7K)	M33x1.5	30	38	82	3.5
28-7(1-3X,4-7A)					
48-20(1-10X,11-20A)	M52x1.5	48	58	91	4.5
48-26(1-3X,5-26A)					
60-47(1-23X,24-47A)	M64x1.5	54	68	89	4.5
60-47(1-35X,36-47A)					

- Socket with curved unshielded tail attached(4)



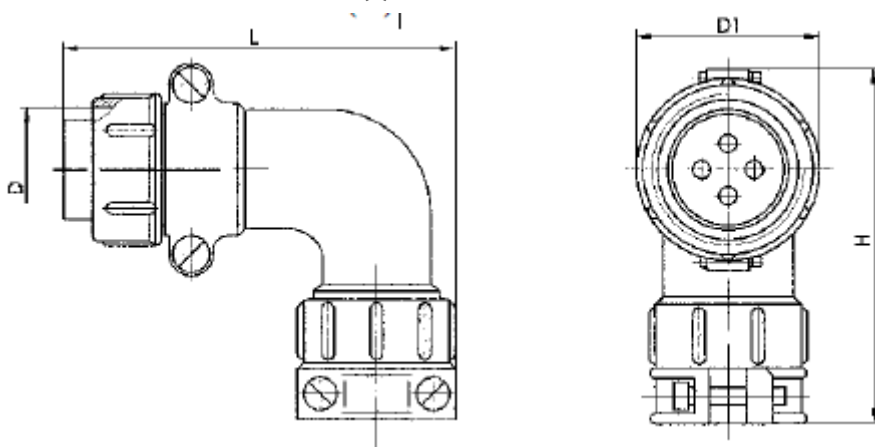
Shell size - number of contacts (contact number and material)	Dimensions (mm)					
	D	A	B	Lmax	Hmax	d
18-4(1-3X,2-4K)	M24x1.5	22	30	71	62	3.2
18-4(1-3X,2-4A)						
28-7(1-3X,4-7K)	M33x1.5	30	38	83	76	3.5
28-7(1-3X,4-7A)						
48-20(1-10X,11-20A)	M52x1.5	58	58	99	96	4.5
48-26(1-3X,5-26A)						
60-47(1-23X,24-47A)	M64x1.5	68	68	110	106	4.5
60-47(1-35X,36-47A)						

- Cable plug with straight unshielded tail attached(7))



Shell size - number of contacts (contact number and material)	Dimensions (mm)			
	D	D1	Hmax	Lmax
18-4(1-3X,2-4K)	M24x1.5	29.5	36	64
18-4(1-3X,2-4A)				
28-7(1-3X,4-7K)	M33x1.5	38.5	48	70
28-7(1-3X,4-7A)				
48-20(1-10X,11-20A)	M52x1.5	59.5	68	80
48-26(1-3X,5-26A)				
60-47(1-23X,24-47A)	M64x1.5	72.5	80	78
60-47(1-35X,36-47A)				

- Cable plug with curved unshielded tail attached(9)



Shell size - number of contacts (contact number and material)	Dimensions (mm)			
	D	D1	Hmax	Lmax
18-4(1-3X,2-4K)	M24x1.5	29.5	71	64
18-4(1-3X,2-4A)				
28-7(1-3X,4-7K)	M33x1.5	38.5	86	80
28-7(1-3X,4-7A)				
48-20(1-10X,11-20A)	M52x1.5	59.5	105	98
48-26(1-3X,5-26A)				
60-47(1-23X,24-47A)	M64x1.5	72.5	118	113
60-47(1-35X,36-47A)				