

ONC-BLS

- **OHu-BC**

Type electrical connectors are used in DC and AC circuits. The receptacle with bayonet connection and PCB contacts.

- **Localized model: ONC-BLS**

- **Technical performance**

Working temperature: $-60^{\circ}\text{C} \sim +85^{\circ}\text{C}$;

Working voltage: 250V;

Contact resistance: $\leq 5\text{m}\Omega$;

Insulation resistance: $\geq 1000\text{M}\Omega$ (under normal conditions);

Vibration: 1-5000Hz 20g;

Impact: 1000g once, 100g multiple times;

Shell material: aluminum alloy;

Shell plating: sulfuric acid anodizing (yellow);

Installation method: Jam Nut installation;

Contact body plating: gold plating;

Contact body diameter: $\varnothing 1.0\text{mm}$;

Termination method: Printed Circuit Board welding;

Mechanical life: 250 plugging and unplugging times;

Working time: 5000 hours.

- **Dimensions**

The dimensions of the ONC-BLS series products are shown in Figure 1:

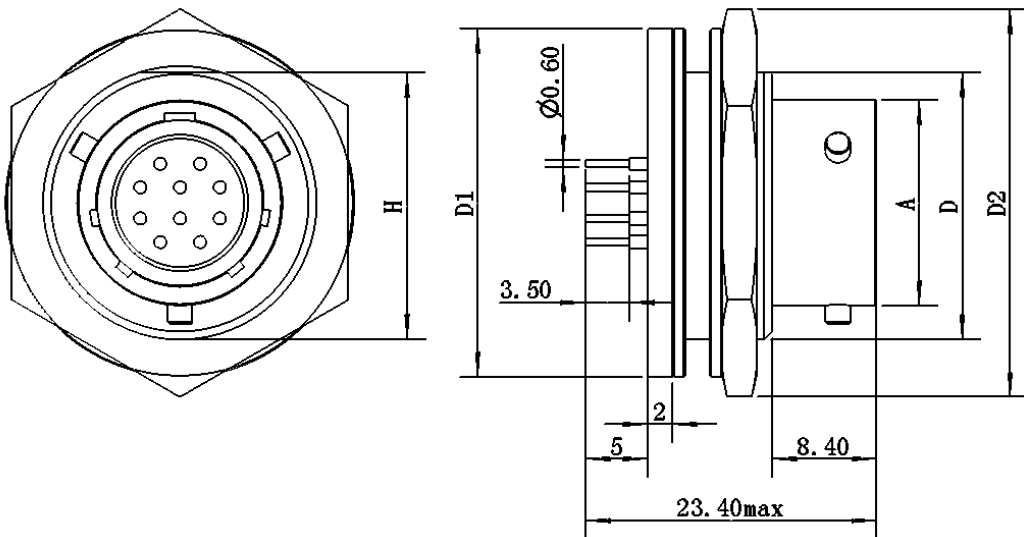
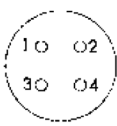

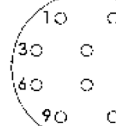
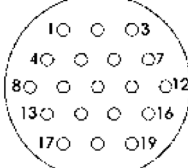
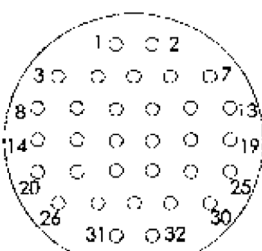
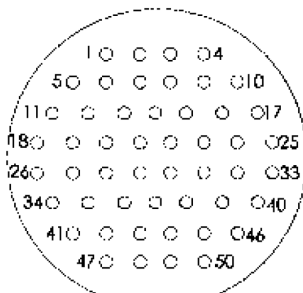


Figure 1. ONC-BLS series products dimensions

Model	A	D	D1	D2	H
ONC-BLS-2-4/10-BL1-1-B	13.3	M18×0.75	24	25.4	17
ONC-BLS-2-7/12-BL1-1-B	14.8	M20×0.75	25	27.8	19
ONC-BLS-2-10/14-BL1-(1;2;3)-B	16.8	M22×0.75	28	31.2	21.5
ONC-BLS-2-19/18-BL1-(1;2;3)-B	20	M24×0.75	31	31.2	23
ONC-BLS-2-32/22-BL1-(1;2;3)-B	24	M30×0.75	35	37.0	29
ONC-BLS-2-50/27-BL1-(1;2;3)-B	29	M33×0.75	40	41.6	32

• **Contact Arrangement**

The arrangement of the hole groups is shown in Figure 2.:

Shell number	10	12	14	18
No. of contacts	4	7	10	19
Arrangement				
Shell number	22		27	
No. of contacts	32		50	
Arrangement				

• **Polarization**

The schematic diagram of the key position 1 of the products with shell No. 10 and No. 12 is shown in Figure 3:

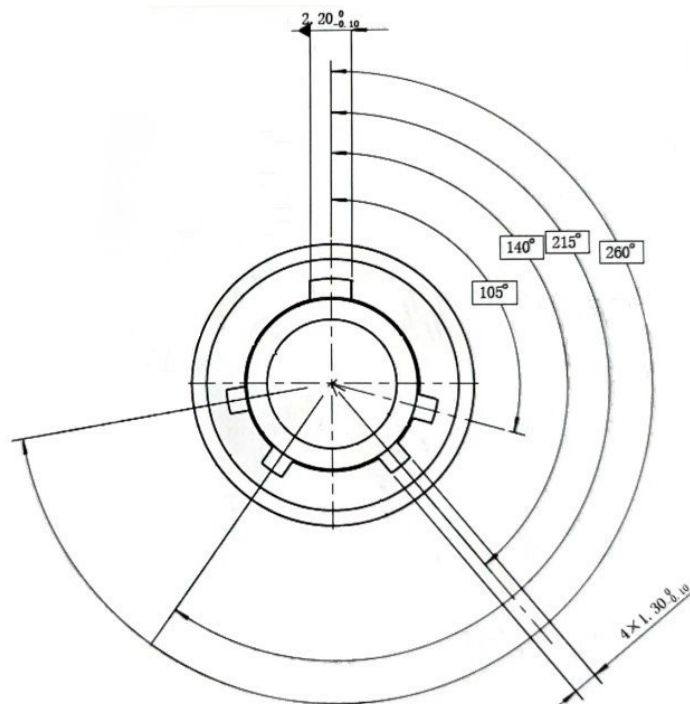


Figure 3 . Polarization diagram

The schematic diagram of key positions 1, 2 and 3 of the products with shells No. 14, 18, 22 and 27 is shown in Figure 4:

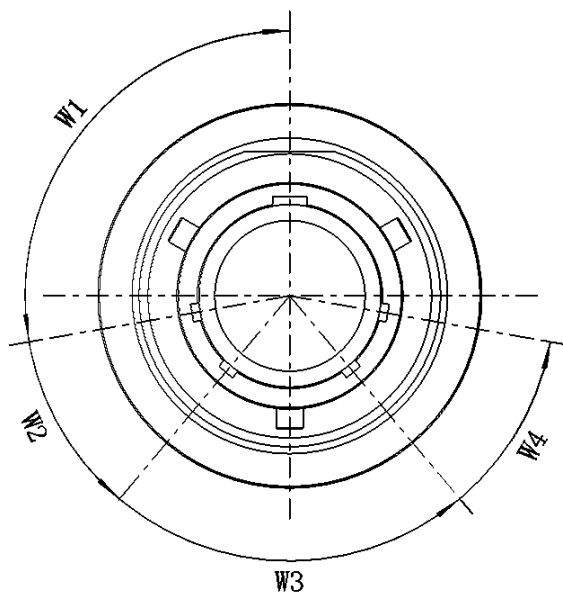


Figure 4 . Polarization diagram

Product key	W1	W2	W3	W4
1	90°	135°	205°	260°
2	105°	140°	215°	260°
3	115°	145°	210°	250°

Note: The diagram takes the 2-key position as an example.

Marking description

China: **ONG-BLS - 1(2) - 4/10 - BL 1 - 1(2,3) - B**

ONG - round
BL – bayonet with PCB contacts
S - subminiature

1 silver, 2 gold

Number of contacts / Shell number

BL - receptacle (with PCB pin)

1.Receptacle without backshell

Polarization

All-climatic version