

MDXT9

Rectangular Electrical Connector for Printed Circuit Boards

Product introduction

This series of electrical connectors are rectangular electrical connectors for printed circuits. They are used for circuit connections in electronic and radio devices. They can connect circuit boards to device circuits and between circuit boards. It can be completely interchangeable and connected with Russia ГРПМ1 series electrical connectors.



Technical characteristics

- Ambient temperature: $-60^{\circ}\text{C} \sim +85^{\circ}\text{C}$
- Vibration acceleration: $5\text{Hz} \sim 4000\text{Hz}$ 300m/s^2
- Impact acceleration: 350m/s^2 multiple times, 1500m/s^2 once
- Working voltage: $\leq 250\text{V}$
- Contact body current: $\leq 2.0\text{A}$
- Contact resistance: device-circuit board $\leq 0.005\Omega$
circuit board- circuit board $\leq 0.008\Omega$
122 contact $\leq 0.007\Omega$
- Insulation resistance: $\geq 1000\text{M}\Omega$ (normal)
 $\geq 50\text{M}\Omega$ (115°C)
- Contact body temperature rise: $\leq 30^{\circ}\text{C}$
- Working life: 1000 times of plugging and unplugging
- Technical information: KEO.364.006TY

Ambient temperature (including temperature rise) °C	115	110	105	100	95	80	70
Continuous working time (*10 hours)	5	7.5	10	15	20	50	100

Tag description

Example

Russian

Serial number	ГРПМ1	31	Г	П	2	В
	ГРПМ1	31	III	y	2	В
Number of contacts						
III - Needle						
Г - hole						
Y - corner installation						
П - direct installation						
O - volumetric installation						
2- Ag plating						
24/7						

APMA

Serial number	MDXT9	31	K	H	2
	MDXT9	31	J	Y	2
Number of contacts					
J - Needle					
K - hole					
Y - corner installation					
H - direct installation					
O - volumetric installation					
2- Ag plating					



Serial number	Code meaning	Russian code	APMA code
1	Serial number	ГПИМ1	MDXT9
2	Number of contacts	31, 45, 61, 90, 122	31, 45, 61, 90, 122
3	Form of contact	Ш (needle), Г (hole)	J (needle), K (hole)
4	Structural form: corner installation	У	У
	direct installation	П	Н
	volumetric installation	О	О
5	Contact plating: silver	2	2

Notes:

Only these models can be manufactured

All models have all-climate installation

MDXT9-(31;45;61)K(H;O;Y)2

MDXT9-(90;122)KO2

MDXT9-(31;45;61;90;122)JY2

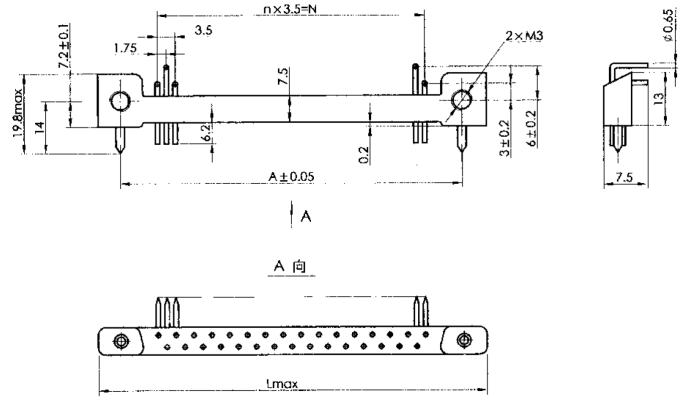
Insulator hole arrangement

Number	Contact arrangement	Contact type
1		Needle
2		
3		
4		
5		
6		Hole
7		
8		
9		
10		

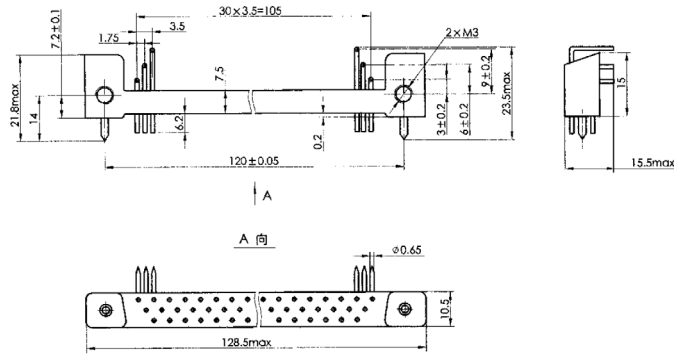
Connector appearance and installation dimensions

- Corner installation

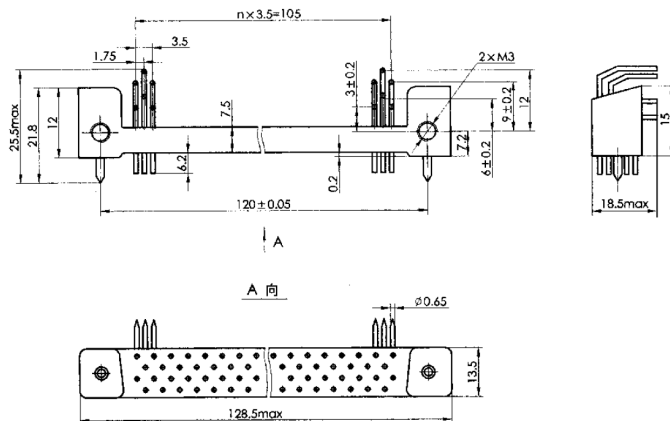
Model	Hole group number	A	L	N
MDXT9-31JY2	1	68	78	52.5
MDXT9-45JY2	2	92	102	77.0
MDXT9-61JY2	3	120	130	105.0



MDXT9-90JY2

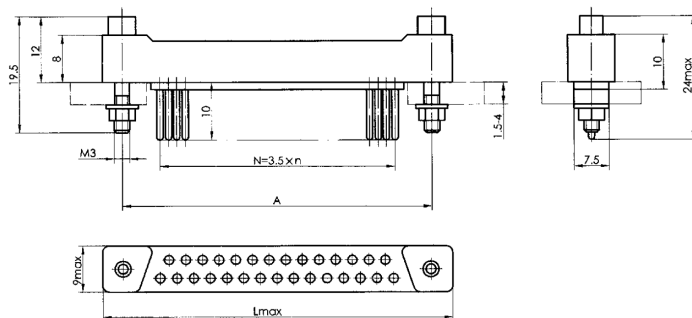


MDXT9-112JY2



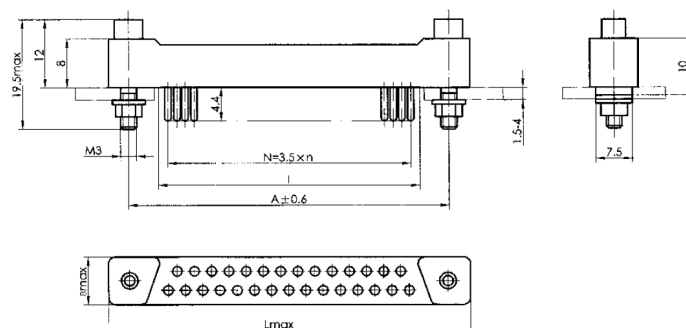
• Direct installation

Model	Hole group number	A	L	N	n
MDXT9-31KH2	6	68	78	52.5	15
MDXT9-45KH2	7	92	102	77.0	22
MDXT9-61KH2	8	120	130	105.0	30



• Volumetric installation

Model	Hole group number	A	B	L	I	N	n
MDXT9-31K02	6	68	9	78	60	52.5	15
MDXT9-45K02	7	92	9	102	84	77	22
MDXT9-61K02	8	120	12	130	112	105	30
MDXT9-90K02	9	120	12	130	112	105	30
MDXT9-122K02	10	120	15	130	112	105	30



Matching table

	Mounting holes	Install needle
Russian	ГРПМ1 - (31, 45, 61) Г02 ГРПМ1 - (31, 45, 61) ГП02	ГРПМ1 - (31, 45, 61) ШУ2
	ГРПМ1 - 90Г02 ГРПМ1 - 122Г02	ГРПМ1 - 90ШУ2 ГРПМ1 - 122 ШУ2
APMA	MDXT9 - (31, 45, 61) K02 MDXT9 - (31, 45, 61) K02	MDXT9 - (31, 45, 61) JY2
	MDXT9 - 90K02 MDXT9 - 122K02	MDXT9 - 90JY2 MDXT9 - 122JY2