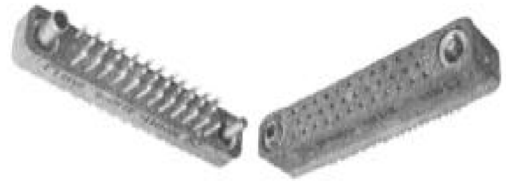


# MDTT9

## Small rectangular electrical connector

### Product introduction

Small rectangular electrical connector MDTT9 Series is used for electrical connectors in DC AC ( $\leq 3\text{MHz}$ ) and pulse current circuits. The contact body is silver-plated and can be interchanged and connected with Russian ПИММ1 Series electrical connectors.



### Technical performance

- Ambient temperature:  $-60^{\circ}\text{C} \sim +100^{\circ}\text{C}$
- Contact resistance:  $\leq 5 \text{ m}\Omega$
- Dielectric strength: 1000 V
- Insulation resistance:  $\geq 1000 \text{ M}\Omega$  (normal),  $50 \text{ M}\Omega$  ( $115^{\circ}\text{C}$ )
- Working voltage:  $\leq 200 \text{ V}$
- Maximum current of single unit: 5 A
- Total current load:

|                                 |    |    |    |    |    |    |    |    |    |
|---------------------------------|----|----|----|----|----|----|----|----|----|
| <b>Total number of contacts</b> | 8  | 11 | 14 | 20 | 26 | 35 | 44 | 50 | 66 |
| <b>Total current load (A)</b>   | 14 | 19 | 24 | 32 | 40 | 51 | 64 | 72 | 94 |

### Tag description

| Serial number | Code name definition            | Russian code                                                                                                                                                      | APMA code                                                                                                                                                         |
|---------------|---------------------------------|-------------------------------------------------------------------------------------------------------------------------------------------------------------------|-------------------------------------------------------------------------------------------------------------------------------------------------------------------|
| 1             | Serial number                   | ПИММ1                                                                                                                                                             | MDTT9                                                                                                                                                             |
| 2             | Number of contacts              | 8, 11, 14, 20, 26, 35, 44, 50, 66                                                                                                                                 | 8, 11, 14, 20, 26, 35, 44, 50, 66                                                                                                                                 |
| 3             | Contact type                    | III (needle)<br>Г (hole)                                                                                                                                          | J (needle)<br>K (hole)                                                                                                                                            |
| 4             | Structure type<br>1, 3, 8, 9, 6 | 1.Receptacle without tail attachment<br>3.Receptacle with threaded guides;<br>8.Plug with clamp;<br>9.Plug without tail attachment<br>6.Plug with tail attachment | 1.Receptacle without tail attachment<br>3.Receptacle with threaded guides;<br>8.Plug with clamp;<br>9.Plug without tail attachment<br>6.Plug with tail attachment |

### Example

#### Russian

| Serial number         | ПИММ1 | -20 | III | 8 | B |
|-----------------------|-------|-----|-----|---|---|
|                       | ПИММ1 | -20 | Г   | 8 | B |
| Number of contact     |       |     |     |   |   |
| Hole (Г) needle (III) |       |     |     |   |   |
| Without cover         |       |     |     |   |   |
| All weather           |       |     |     |   |   |

#### APMA

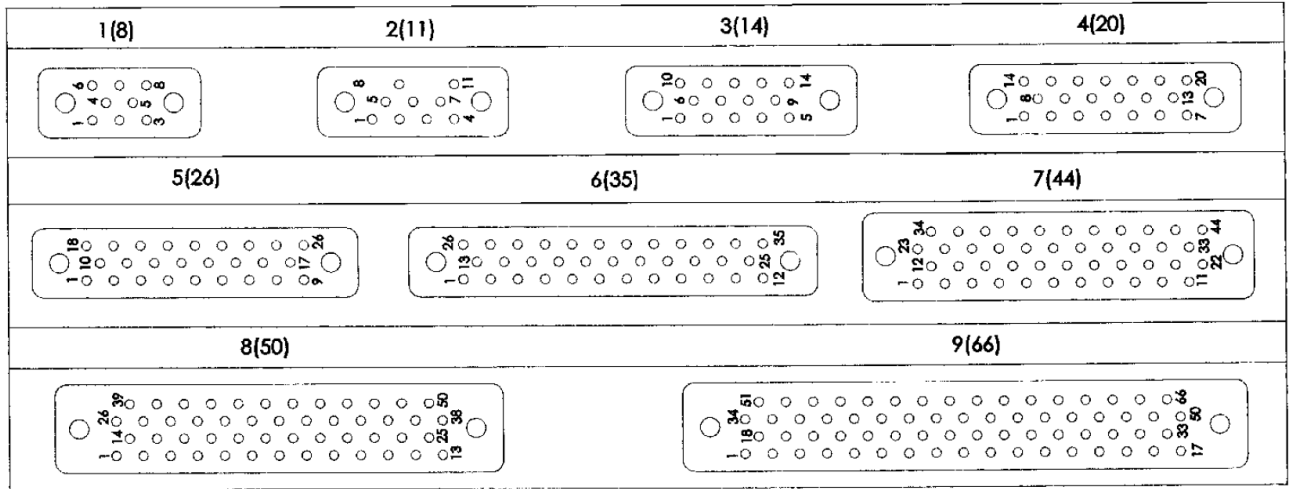
| Serial number         | MDTT9 | -20 | J | 8 | B |
|-----------------------|-------|-----|---|---|---|
|                       | MDTT9 | -20 | K | 8 | B |
| Number of contact     |       |     |   |   |   |
| Hole (Г) needle (III) |       |     |   |   |   |
| Without cover         |       |     |   |   |   |
| All weather           |       |     |   |   |   |

### Notes:

Models that cannot be manufactured:

MDTT9-8K8B, MDTT9-8J6B, MDTT9-8J8B, MDTT9-11J6B, MDTT9-44K6B, MDTT9-44J6B.

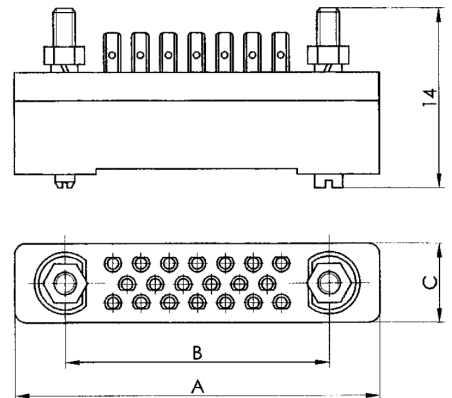
### Insulator hole arrangement



### Connector appearance and installation dimensions

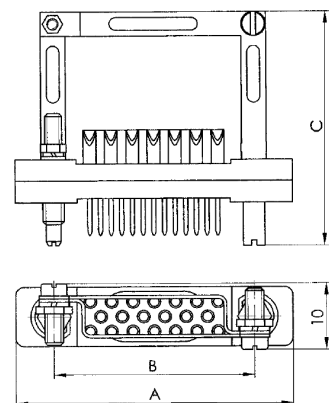
- Receptacle without tail attachment (1)

| Serial Number | Contact body combination number | A    | B    | C |
|---------------|---------------------------------|------|------|---|
| MDTT9 – 8K1   | 1                               | 22,5 | 15   | 7 |
| MDTT9 – 11K1  | 2                               | 25   | 17,5 |   |
| MDTT9 – 14K1  | 3                               | 27,5 | 20   |   |
| MDTT9 – 20K1  | 4                               | 32,5 | 25   |   |
| MDTT9 – 26K1  | 5                               | 37,5 | 30   |   |
| MDTT9 – 35K1  | 6                               | 45   | 37,5 |   |
| MDTT9 – 44K1  | 7                               | 43,7 | 36,2 | 9 |
| MDTT9 – 50K1  | 8                               | 5    | 5    |   |
| MDTT9 – 66K1  | 9                               | 47,5 | 40   |   |
|               |                                 | 57,5 | 50   |   |



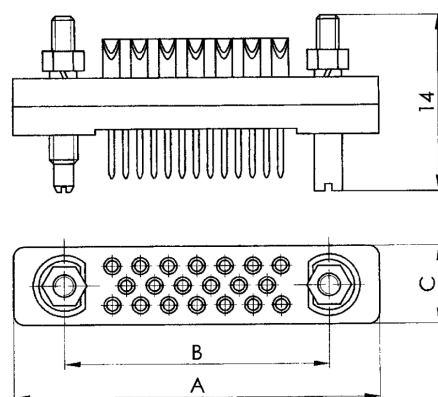
- Plug with clamp (8)

| Serial Number | Contact body combination number | A    | B    | C  |
|---------------|---------------------------------|------|------|----|
| MDTT9 – 8J8   | 1                               | 22,5 | 15   | 31 |
| MDTT9 – 11J8  | 2                               | 25   | 17,5 |    |
| MDTT9 – 14J8  | 3                               | 27,5 | 20   |    |
| MDTT9 – 20J8  | 4                               | 32,5 | 25   |    |
| MDTT9 – 26J8  | 5                               | 37,5 | 30   |    |
| MDTT9 – 35J8  | 6                               | 45   | 37,5 |    |
| MDTT9 – 44J8  | 7                               | 43,7 | 36,2 | 36 |
| MDTT9 – 50J8  | 8                               | 5    | 5    |    |
| MDTT9 – 66J8  | 9                               | 47,5 | 40   |    |
|               |                                 | 57,5 | 50   |    |



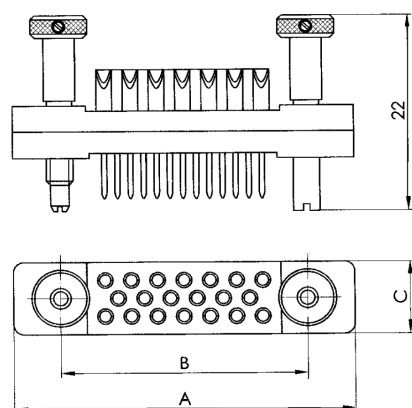
• Receptacle with threaded guides (3)

| Serial Number      | Contact body combination number | A     | B     | C |
|--------------------|---------------------------------|-------|-------|---|
| MDTT9 – 8 J (K) 3  | 1                               | 22,5  | 15    | 7 |
| MDTT9 – 11 J (K) 3 | 2                               | 25    | 17,5  |   |
| MDTT9 – 14 J (K) 3 | 3                               | 27,5  | 20    |   |
| MDTT9 – 20 J (K) 3 | 4                               | 32,5  | 25    |   |
| MDTT9 – 26 J (K) 3 | 5                               | 37,5  | 30    |   |
| MDTT9 – 35 J (K) 3 | 6                               | 45    | 37,5  |   |
| MDTT9 – 44 J (K) 3 | 7                               | 43,75 | 36,25 | 9 |
| MDTT9 – 50 J (K) 3 | 8                               | 47,5  | 40    |   |
| MDTT9 – 66 J (K) 3 | 9                               | 57,5  | 50    |   |



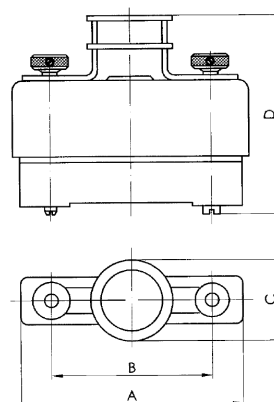
• Plug without tail attachment (9)

| Serial Number      | Contact body combination number | A    | B    | C |
|--------------------|---------------------------------|------|------|---|
| MDTT9 – 8 J (K) 9  | 1                               | 22,5 | 15   | 7 |
| MDTT9 – 11 J (K) 9 | 2                               | 25   | 17,5 |   |
| MDTT9 – 14 J (K) 9 | 3                               | 27,5 | 20   |   |
| MDTT9 – 20 J (K) 9 | 4                               | 32,5 | 25   |   |
| MDTT9 – 26 J (K) 9 | 5                               | 37,5 | 30   |   |
| MDTT9 – 35 J (K) 9 | 6                               | 45   | 37,5 |   |
| MDTT9 – 44 J (K) 9 | 7                               | 43,7 | 36,2 | 9 |
| MDTT9 – 50 J (K) 9 | 8                               | 5    | 5    |   |
| MDTT9 – 66 J (K) 9 | 9                               | 47,5 | 40   |   |



• Plug with tail attachment (6)

| Serial Number | Contact body combination number | A    | B    | C  | D  |
|---------------|---------------------------------|------|------|----|----|
| MDTT9 – 8J6   | 1                               | 23,5 | 15   | 8  | 35 |
| MDTT9 – 11J6  | 2                               | 26   | 17,5 | 9  |    |
| MDTT9 – 14J6  | 3                               | 28,5 | 20   | 10 |    |
| MDTT9 – 20J6  | 4                               | 33,5 | 25   | 12 |    |
| MDTT9 – 26J6  | 5                               | 38,5 | 30   | 13 |    |
| MDTT9 – 35J6  | 6                               | 46   | 37,5 | 14 |    |
| MDTT9 – 44J6  | 7                               | 44,7 | 36,2 | 16 | 39 |
| MDTT9 – 50J6  | 8                               | 5    | 5    | 17 |    |
| MDTT9 – 66J6  | 9                               | 48,5 | 40   | 20 |    |



• Matching table

| Serial Number | Contact body combination number |
|---------------|---------------------------------|
| MDTT9 – J1    | MDTT9 – K8                      |
| MDTT9 – J8    | MDTT9 – K1                      |
| MDTT9 – J3    | MDTT9 – K6, K9                  |
| MDTT9 – J6    | MDTT9 – K3                      |
| MDTT9 – J9    | MDTT9 – K3                      |