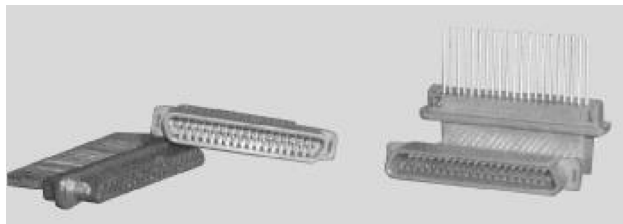


MDM9

Series high density rectangular electrical connectors

Product introduction

This series of electrical connectors is a product independently developed by our company. It adopts 1.30mm grid spacing and meets the technical requirements of specification Q/3E20032-2006 (equivalent to Russian military specification ИСНХ.430421.010ТУ). It has a small size and good contact resistance. It has the characteristics of high component density, and the end of the contact component can be used for point-to-point welding with the flat cable, dip soldering of the printed circuit board, etc. It is used in AC, DC circuits and pulse circuits, and has Anti-misplug function. The contact parts of this series of products use twisted wire elastic needles (twist needles), which provide reliable contact and soft insertion and extraction. They can be interchanged with Russian ППГ1-М series products. This series of electrical connectors are widely used in electrical connections in aviation, aerospace vehicles and electronic and electrical equipment.



Technical performance

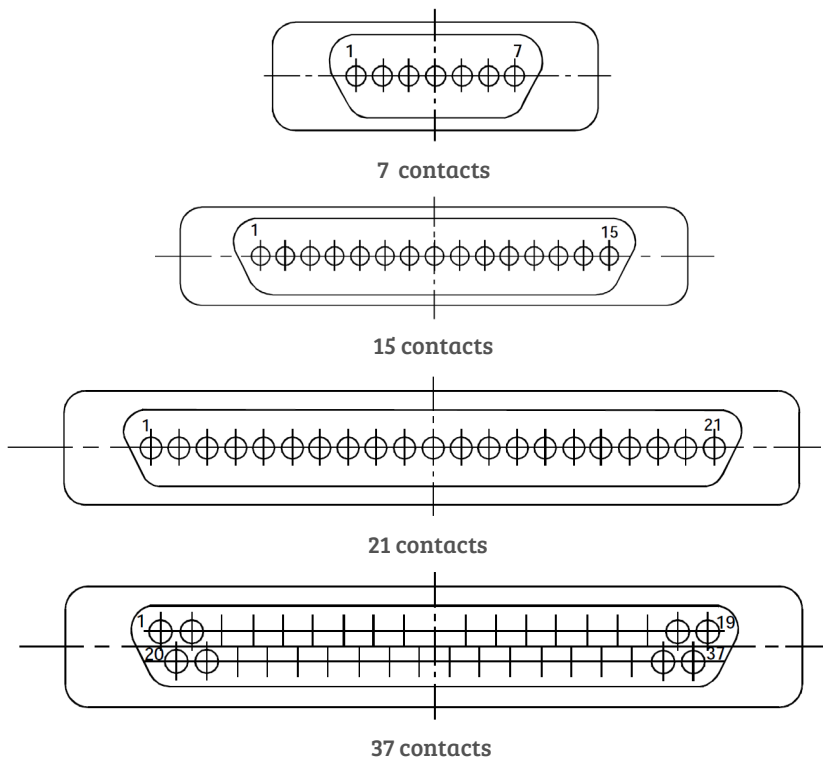
- Ambient temperature: $-60^{\circ}\text{C} \sim +85^{\circ}\text{C}$
- Vibration: 1Hz ~2500 Hz 392 m/s²
- Impact: 14700 m/s² (single); 1470 m/s² (multiple times)
- Constant acceleration: 980 m/s²
- Relative humidity: 98% at 35°C (no condensation)
- Contact resistance: $\leq 0.01\Omega$
- Insulation resistance: under normal conditions $\geq 1000\text{M}\Omega$, moisture $\geq 20\text{M}\Omega$
- Rated current: 1A, maximum operating current of a single contact 2A
- Working voltage: 150 V
- Withstand voltage: 600V 1min
- Mechanical life: 250 times
- Working life: $\geq 90000\text{ h}$

How to order

Main name	MDM	9	-15	T	J
Design Number					
Number of contacts					
Electrical connector type					
T-plug Z-socket					
Contact plating					

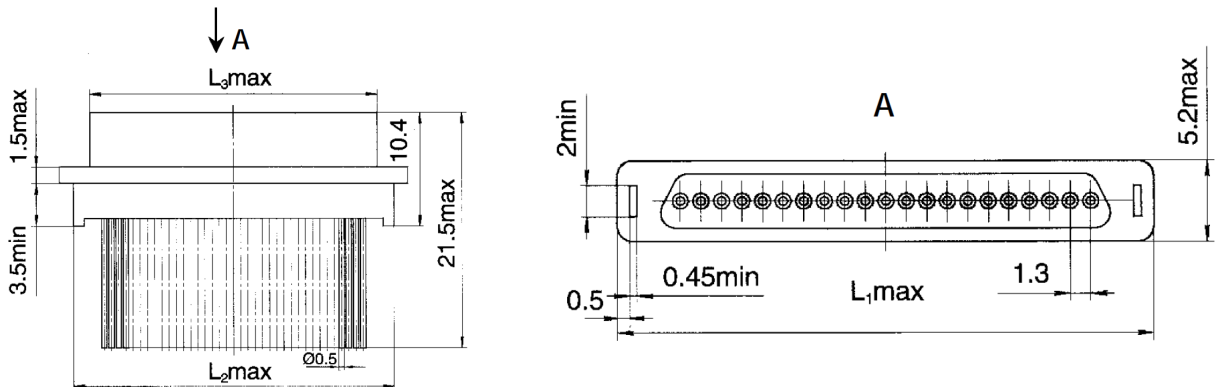
Serial number	Code meaning		APMA code	Russian code name
1	Main name		MDM	ППС
2	Design number		9	1-M
3	Number of contacts		7, 15, 21, 37	7, 15, 21, 37
4	Electrical connector type	Plug pin	T	III
		Socket mounting hole	Z	Г
5	Contact plating	Gold	J	Not marked
		Silver	Y	C

Insulator hole arrangement (pin insulator mating surface)

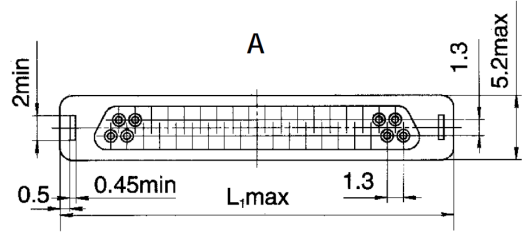
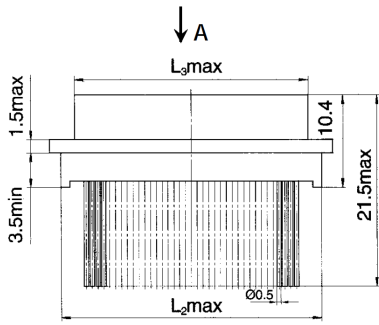


Shape and installation dimensions

- 7, 15, 21 – pin plug

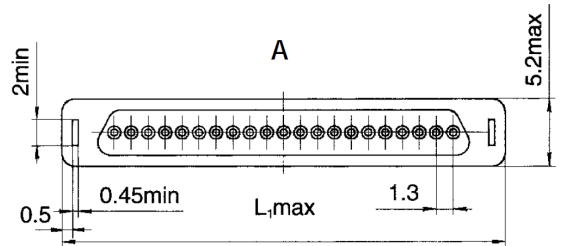
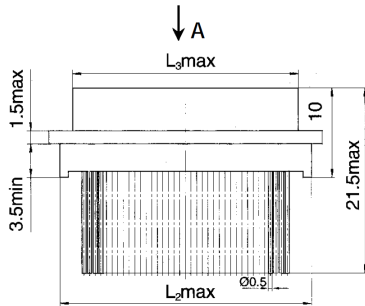


- 37 – pin plug

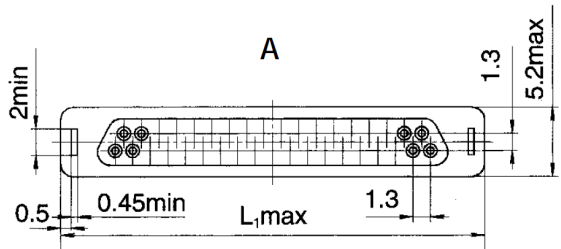
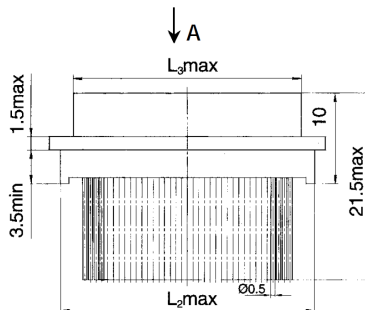


Number of contacts	L1 max, mm	L2 max, mm	L3 max, mm
7	16	13,5	10,5
15	26,5	24	21
21	34	31,5	28,5
37	31,5	29	26

- 7, 15, 21 – pin socket



- 37 – pin socket



Number of contacts	L1 max, mm	L2 max, mm	L3 max, mm
7	16	13,5	12,2
15	26,5	24	22,7
21	34	31,5	30,2
37	31,5	29	27,80