

GLK-85, GLK-85M

Rectangular electrical connector

Product introduction

GLK-85, GLK-85M are special electrical connectors used for connection and separation of circuits. It can be interchanged and connected with Russian series electrical connectors АЭР-85 and АЭР-85М.



Technical performance

- Ambient temperature: $-55^{\circ}\text{C}\sim+155^{\circ}\text{C}$
- Sinusoidal vibration: 5-2500 Hz acceleration 147 m/s^2 ;
- Mechanical impact: single, acceleration 1470 m/s^2 ; multiple times, acceleration 1470 m/s^2 ;
- Contact resistance: $\Phi 1.5\leq 0.003\Omega$, $\Phi 2.0\leq 0.0016\Omega$, $\Phi 5.5\leq 0.0004\Omega$,
- Working voltage: contact body A,B,C,D, E,F, 280V; 1~12, 14~79 50V; 13 single;
- Insulation resistance: normal $\geq 5000\text{M}\Omega$; moist $\geq 50\text{M}\Omega$; high temperature $\geq 20\text{M}\Omega$
- Maximum current of single contact (operating current); $\Phi 1.5\ 10\text{A}$, $\Phi 2.0\ 20\text{A}$, $\Phi 5.5\ 100\text{A}$
- Mechanical and working life: 500 plugging and unplugging times ≥ 750 hours
- Guarantee period: 9 years

(Technical conditions: ГЕО.364.163ТУ)

Tag description

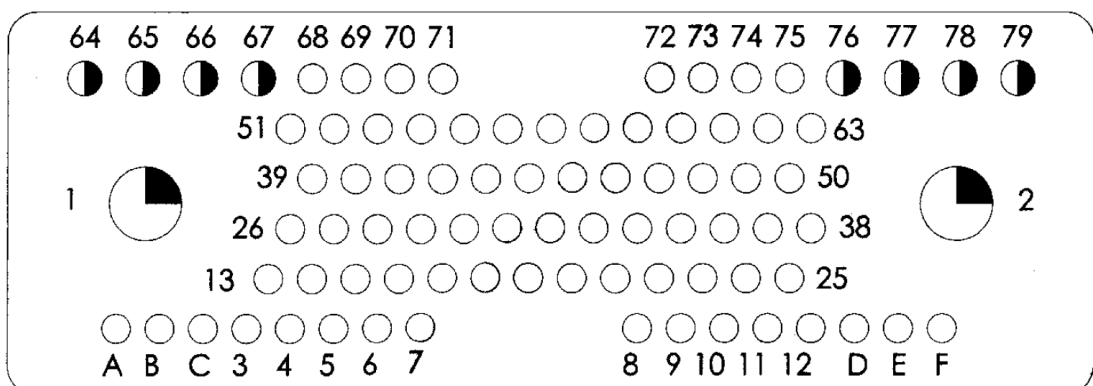
Russian

Serial number	АЭР АЭР	85 85	M
Number of contacts			
Socket-M; Plug-unmarked			

APMA

Serial number	GLK GLK	85 85	M
Number of contacts			
Socket-M; Plug-unmarked			

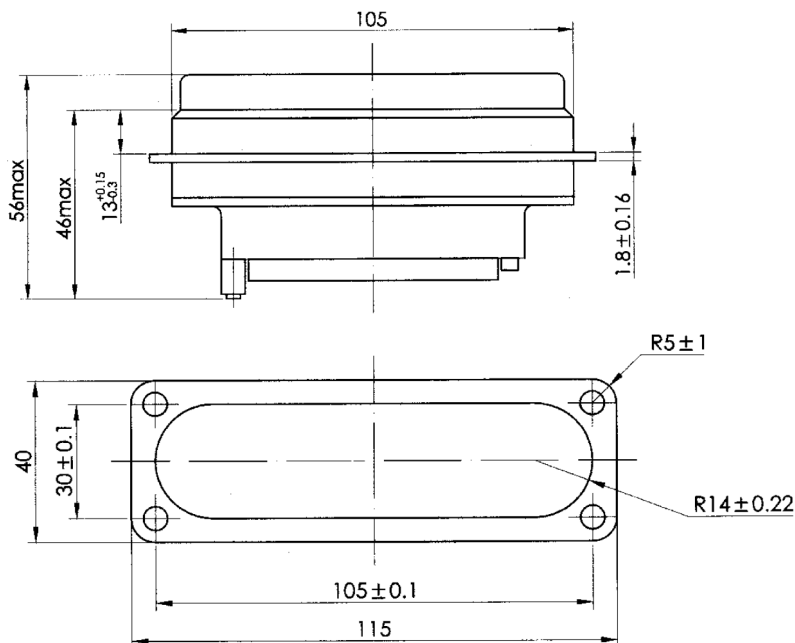
○ $\Phi 1.5\text{mm}$ ● $\Phi 2.0\text{mm}$ ◐ $\Phi 5.5\text{mm}$





Connector appearance and installation dimensions (mm)

GLK-85



GLK-85M

