

G-PC

G-PC Series Subminiature Circular Electrical Connectors for Circuit Electrical Connections on Radio and Electrical Equipment. Connect the cable plug to the socket fixed to the unit by means of a threaded connection nut. The plug can be equipped with tail accessories, and receptacle is sealed. The socket is equipped with a pin, and the plug is equipped with a socket.

Note: Plug with socket and receptacle with pin only

• Application

This series is recommended for use in ground vehicles and equipment in the civil and military fields.

• Technical characteristics

Operating temperature: $-55^{\circ}\text{C} \sim +125^{\circ}\text{C}$;

Atmosphere: 101.33 ~6.7 KPa

Shock: 196 m/s^2

Current: 5A

Insulation resistance:

Normal conditions are not less than $1000\text{M}\Omega$ Normal $\geq 50\text{M}\Omega$

Vibration: 10~200Hz

Acceleration: 196 m/s^2 (50g)

Endurance: 500 times

Constant resistance: $\leq 5\text{m}\Omega$

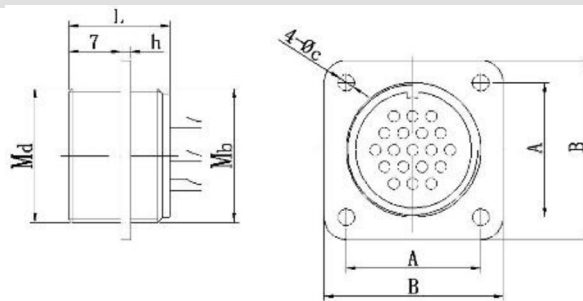
Seal: Air pressure resistance 0.2 Mpa



- Localized model: **G-PC**

• Ordering information

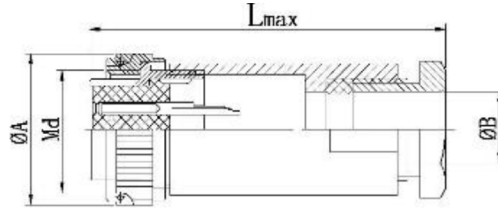
G - ground application PC - unsealed PCM - sealed	G-PC	- 4	T
Number of contacts: 4, 7, 10, 19, 32, 50			
T - plug with backshell Z - receptacle			



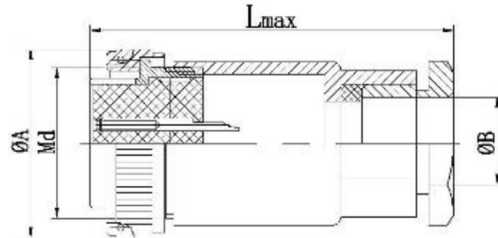
Unit: mm

Serial number	Product code	Md	Mb	L	h	A±0.1	B	Øc
1	G-PC-4	M10*0.75	M10*0.75	14	1.4	11.8	16.5	2.2
2	G-PC-7	M12*0.75	M12*0.75	13.6	1.4	13.2	18	2.2
3	G-PC-10	M14*0.75	M14*0.75	13.6	1.4	15.0	20	2.2
4	G-PC-19	M18*0.75	M18*0.75	13.6	1.4	18.0	24	2.2
5	G-PC-32	M22*0.75	M22*0.75	13.6	1.8	21.5	28	2.7
6	G-PC-50	M27*0.75	M27*0.75	13.6	1.35	26	33	3.4

Straight plug
(Applicable: G-PC-4
G-PC-7
G-PC-10)



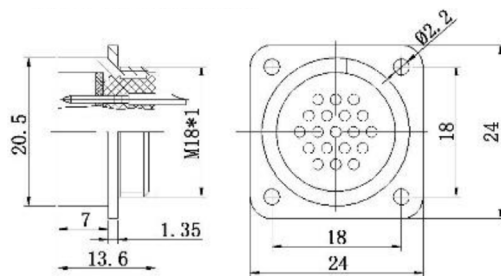
Straight plug
(Applicable: G-PC-19
G-PC-32)



Unit: mm

Serial number	Product code	ØA	ØB	Md	L
1	G-PC-4	13.8	6	M10*0.75	36
2	G-PC-7	15.0	8	M12*0.75	38
3	G-PC-10	17.7	9	M14*0.75	41
4	G-PC-19	21.5	11	M18*0.75	42
5	G-PC-32	26.3	13	M22*0.75	42
6	G-PC-50	31.5	20	M27*0.75	55

G-PC-19 Receptacle



G-PC-4	G-PC-7	G-PC-10	G-PC-19	G-PC-32	G-PC-50
