

BT Type Electrical Connector

ШШПJM type electrical connectors are used for circuit connection between aviation electrical instruments and electrical accessories. It meets the technical standards of Russian electrical connectors.

Localized model: **BT**



Technical performance

- Ambient temperature: - 60 °C ~ + 150 °C
- Vibration: Frequency 20 ~ 80 Hz, acceleration 10g
- Rated voltage: 36 V
- Rated current: 5 A
- Contact resistance: before plugging $\leq 0.004 \Omega$ after plugging 200 times $\leq 0.006 \Omega$
- Insulation resistance: $\geq 50 M\Omega$
- Test voltage: 500 V
- Sealed socket air tightness: pressure 850 mmHg sealed
- Specifications: 3E0 240 058JT

Mark description

Russian:	ШШПJM	- 2
Socket (sealed)		
Number of contacts 2,3		

Russian:	ВШПJГ	- 2	H
Plug			
Number of contacts 2,3			
H — unshielded tail attachment Not marked — shielded tail attachment			

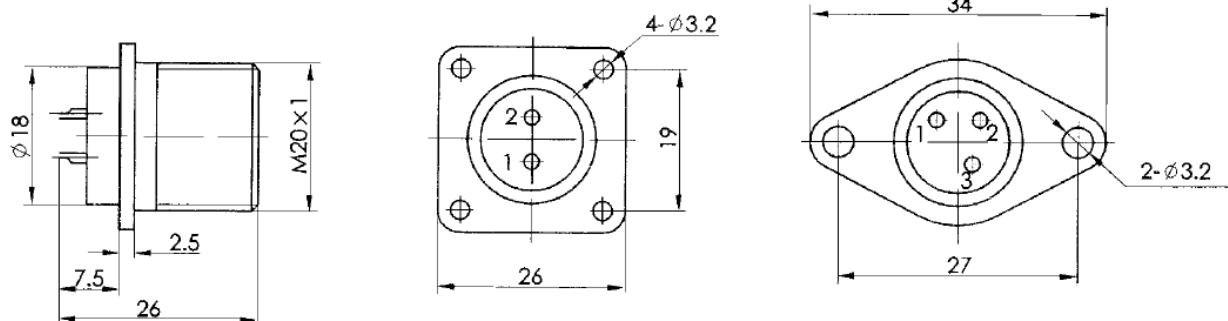
Chinese:	BT	- 2	Z	G
Model				
Number of contacts 2,3,4				
Z — socket (with pin)				
G — Modification Not marked — Normal				

Chinese:	BT	- 2	T	Q
Model				
Number of contacts 2,3,4				
T — plug (with holes)				
Q — unshielded tail attachment Not marked — shielded tail attachment				

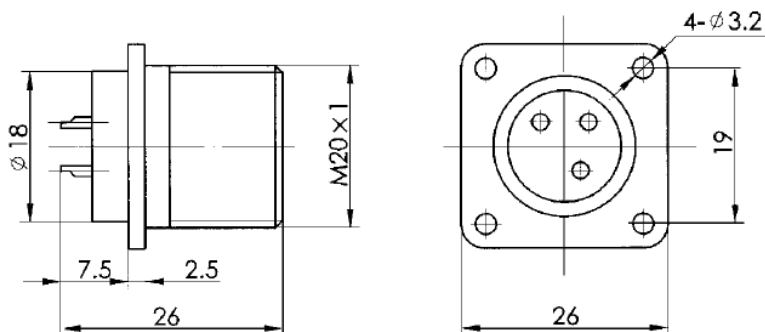


Shape, Installation size

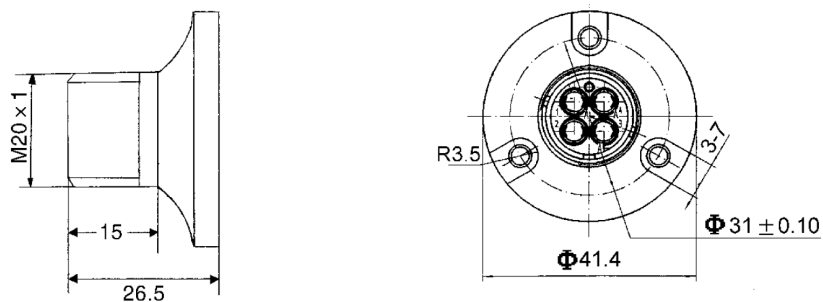
Sealed socket



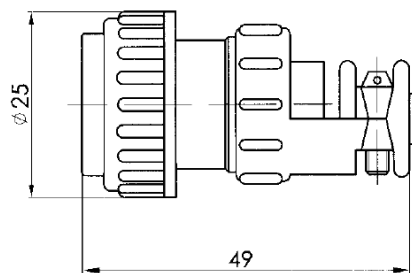
- **Sealed socket**



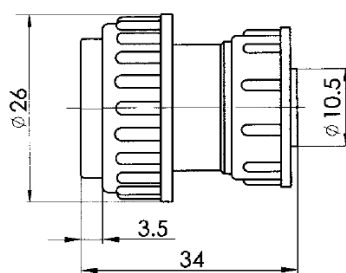
- **Modified socket**



- **Unshielded plug**



- **Shielded plug**



Insulator Hole Group Arrangement

Plug	Socket	Total number of contacts	Contact arrangement
ВШЛГ-2(Н)	ШПJM-2	2	
ВШЛГ-3(Н)	ШПJM-3	3	
BT-4T(Q)	BT-4ZG	4	