

• 2KA Series - Protective cover

2KA protective cover product specification sheet

1. Performance

- Working environment temperature: $-55^{\circ}\text{C} \sim +150^{\circ}\text{C}$;

2. Overall dimensions

- The dimensions of the 2KA-TFG plug protective cover are shown in Figure 1 and Table 1.
- The dimensions of the 2KA-ZFG socket protective cover are shown in Figure 2 and Table 2.

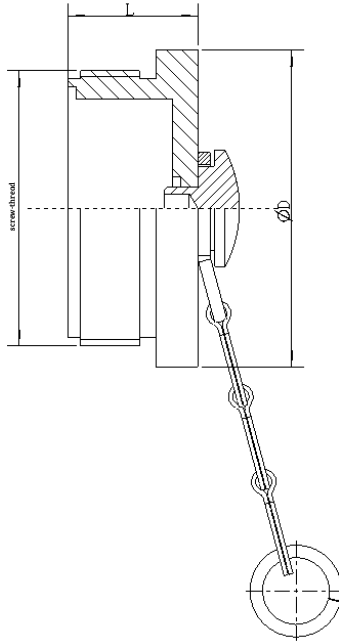


Figure 1. 2KA-TFG overall dimensions

Table 1. 2KA-TFG dimensions

Name	D	L	Thread specifications
2KA14-TFG	20	15.5	M16×1-6g
2KA18-TFG	21	15.5	M20×1-6g
2KA22-TFG	29	15.5	M24×1-8h
2KA24-TFG	31	15.5	M27×1.5-6g
2KA27-TFG	35	15.5	M30×1.5-6g
2KA30-TFG	38	15.5	M33×1.5-8h
2KA33-TFG	41	15.5	M36×1.5-8h
2KA36-TFG	44	15.5	M39×1.5-8h
2KA39-TFG	47	15.5	M42×1.5-8h
2KA42-TFG	50	15.5	M45×1.5-8h
2KA45-TFG	54	15.5	M48×1.5-8h

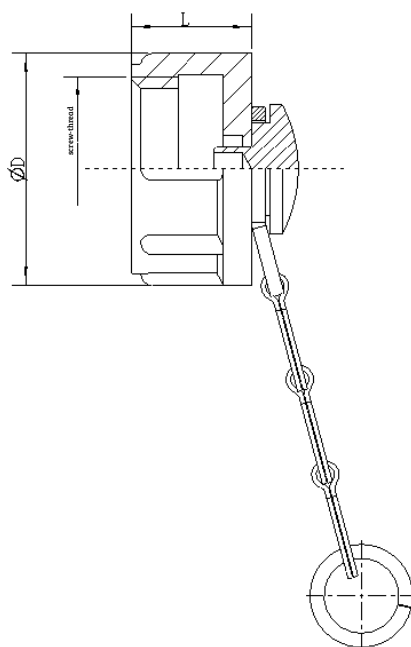


Figure 2. 2KA-ZFG overall dimensions

Table 2. 2KA-ZFG dimensions

Name	D	L	Thread specifications
2KA14-ZFG	21.5	12	M16×1-7H
2KA18-ZFG	25	13	M20×1-7H
2KA22-ZFG	29	16	M24×1-7H
2KA24-ZFG	31	16	M27×1.5-7H
2KA27-ZFG	34	16	M30×1.5-7H
2KA30-ZFG	37	16	M33×1.5-7H
2KA33-ZFG	41	16	M36×1.5-7H
2KA36-ZFG	44	16	M39×1.5-7H
2KA39-ZFG	46	16	M42×1.5-7H
2KA42-ZFG	51	16	M45×1.5-7H
2KA45-ZFG	54	16	M48×1.5-7H